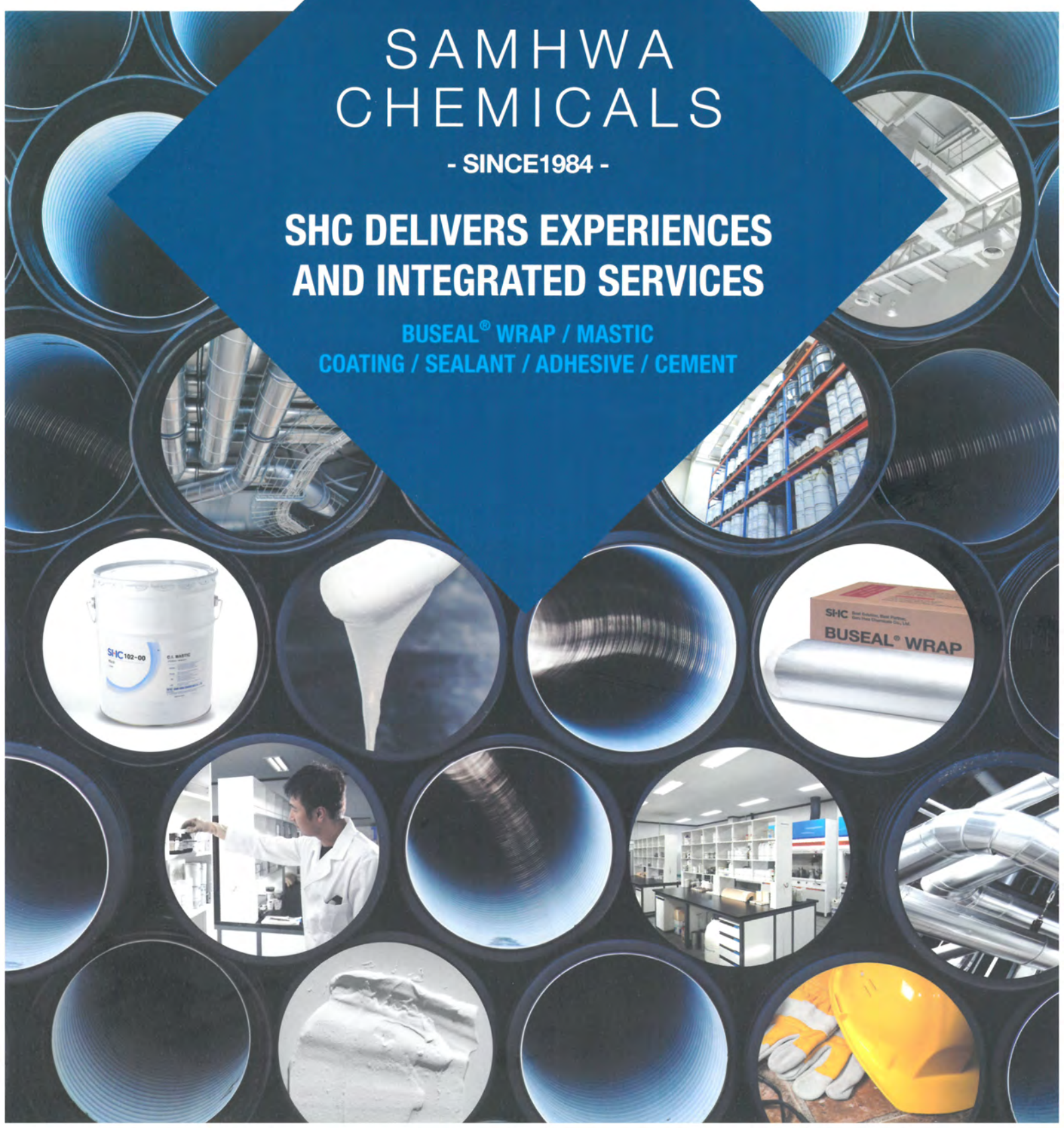


SAMHWA CHEMICALS

- SINCE 1984 -

SHC DELIVERS EXPERIENCES AND INTEGRATED SERVICES

**BUSEAL® WRAP / MASTIC
COATING / SEALANT / ADHESIVE / CEMENT**



INSULATION PROTECTION

SHC's extensive product line includes BUSEAL® WRAP Adhesives, Sealants, and Mastics for attaching and sealing all types of thermal insulations on piping, tanks, vessels and equipments to protect them from external environment.

The products are specially engineered to provide maximum thermal performance for hot and cold services and for indoor and outdoor installations and some of products are applicable for extremely low temperature up to -196°C .

SHC BUSEAL® WRAP

SHC BUSEAL® WRAP is a self adhesive vapor barrier sheet comprised of a butyl rubber compound laminated to a aluminum and tough PE film and a treated peel and stick release liner.

MAIN PURPOSE

Excellent Vapor Resistance

Butyl rubber and laminated aluminum assures the highest level of resistance to moisture and vapor under a jacket finish.

Excellent UV Resistance

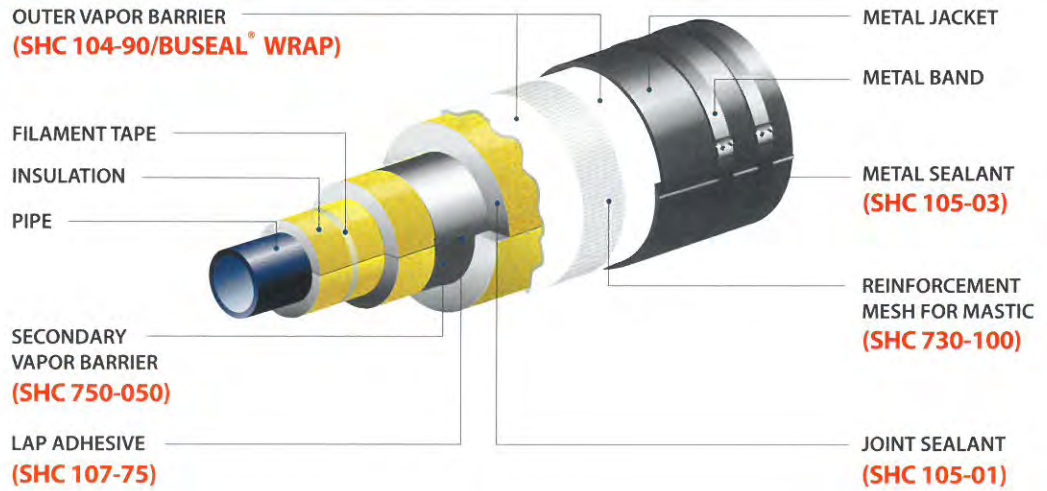
Laminated aluminum prevents losing its characteristics when exposed to direct sunlight.

Excellent Adhesion

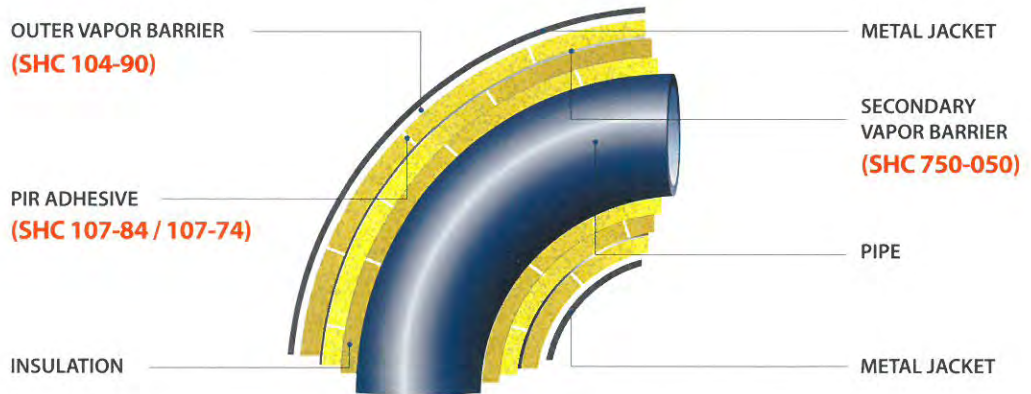
Butyl rubber has good adhesion strength to most materials such as various insulation, metal, wood, glass, concrete and etc.



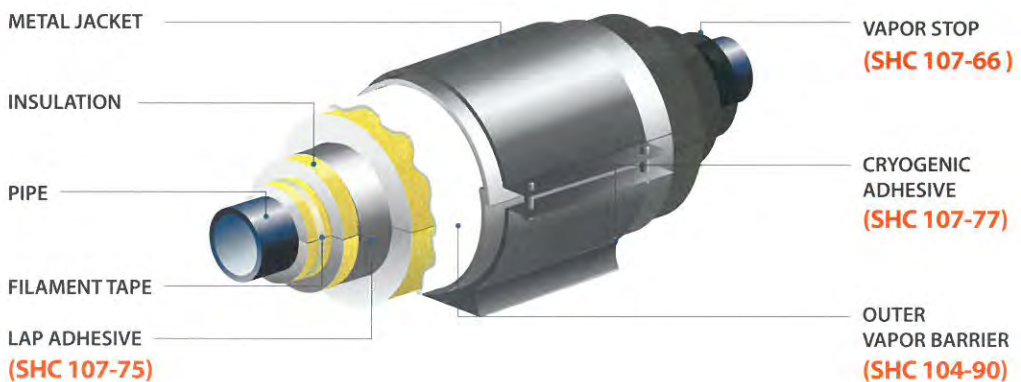
PIPE



ELBOW

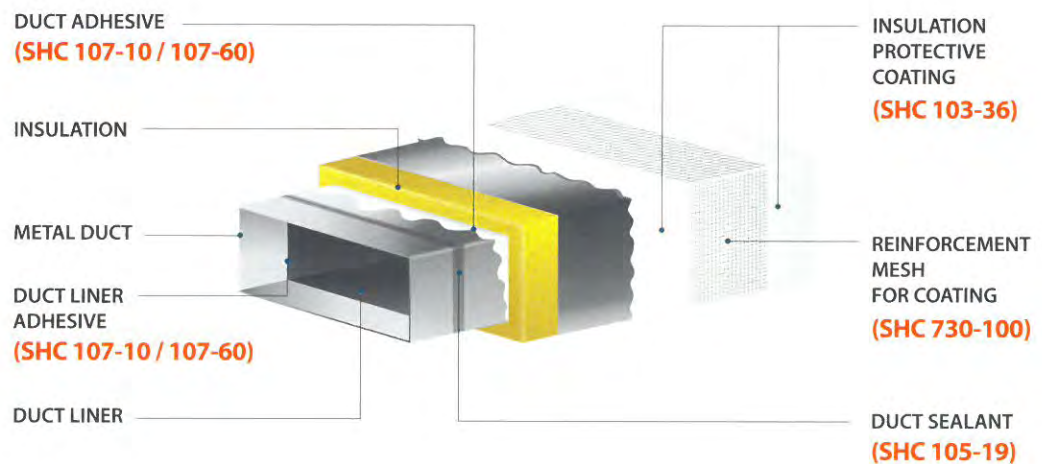


SUPPORT



HVAC

SHC's HVAC (High Velocity Air Conditioning) product line includes Sealants for duct sealing, Adhesives for bonding metal sheet and insulations, and Mastics and Coatings for protection of insulations. The HVAC products are available in water-based and solvent based as well.



SHC 103-36
LAGGING
ADHESIVE COATING

White, fire resistive, tough indoor coating for thermal insulation.



SHC 105-19
WB DUCT
SEALANT

Good water based sealant for sealing joints and pin holes on metal duct.



SHC 107-10
DUCT
ADHESIVE

Duct adhesive for use with fibrous insulation and acoustical linings for air conditioning ducts.



SHC 107-60
WB MULTI
ADHESIVE

Water based adhesive for all insulation applications.



SHC 730-100
REINFORCING
MEMBRANE

Reinforcement fabric composed of synthetic fiber composition.



ACCESSORY

SHC's ACCESSORY product line includes ALUFILM TAPE, BUSEAL® WRAP, BUTYL RUBBER SHEET, REINFORCING MEMBRANE and other related materials engineered to provide maximum thermal performance for hot and cold insulation systems.



SHC 700-121/122 BUSEAL® TAPE 12

Butyl rubber based self adhesive vapor barrier flashing tape for Buseal® wrap overlap



SHC 760-050 ALUFILM TAPE 50

Self adhesive vapor barrier flashing tape for Alufilm or Buseal® wrap



SHC 720-121 BUTYL RUBBER SHEET 12

Vapor barrier for contraction joint of cold insulation



SHC 730-100 REINFORCING MEMBRANE

Polyester based fiber fabric for recforcing mastic



SHC 740-100 GLASS CLOTH NO.10

Glass fiber based fabric for recforcing mastic



SHC 850-201 SEALANT TAPE

Butyl based non hardening gap sealant tape.



SHC 750-050 ALUFILM 50

12µm PE+25µm AL Foil+12µm PE based foil sheet for secondary vapor barrier



SHC 204-05 GYPSUM PLASTER

Gypsum plaster based adhesive for celluar glass.

ABOUT SHC

WELCOME TO THE WORLD OF SHC,
WHO IS DOING HIS BEST IN PROVIDING EXCELLENT PRODUCT
PERFORMANCE AND FAST SERVICE.

Since its foundation in 1984, SHC has been the leading company in the field of Buseal® wrap Mastics, Adhesives, Sealants and Cements for industrial use, providing products of excellent quality and fast customer service that have been approved for over 30 years.

We are currently supplying products for Hot and Cold insulations in LNG, Petrochemical complex, HVAC duct system across the globe. After a technical licensee agreement with the well-known Foster Product Corp. in 1991, now a part of H.B. Fuller company in the USA, we have produced and supplied products from our own manufacturing facility for 26 years. (Terminated Dec. 31st, 2016)

We were the first to provide Mastics to KOGAS, the Korean gas company, and are expanding our areas of business from LNG facilities and Offshore to Onshore as well.

Based on our 30 years of experiences and continuous efforts of new product development, SHC promises to satisfy our clients with products of exceptional quality and punctual services.

Sincerely,

Employees of SHC



- ATTACH, SEAL, PROTECT ALL TYPES OF THERMAL INSULATION
- FOR USE ON PIPING, TANKS, VESSELS, EQUIPMENTS
- LONG-TERM PERFORMANCE YOU CAN DEPEND ON



LNG



PETROCHEMICAL



HAVC



UNDER-GROUND TANK, INSIDE

Körner

Koerner Engineering Enterprise Co., Ltd.

科能工程企業有限公司

11083 台北市信義區松山路421號16F之3

16F-3, No. 421, Songshan Road, Xinyi Dist., Taipei 11083, Taiwan

TEL: +886 2 23465985

FAX: +886 2 23465986

E-mail: info@Koerner-ing.com Website: www.Koerner-ing.com

保冷 保溫 噪音 防火 防蝕

工程 設計 及 施工

SHIC

SAMHWA CHEMICALS Co., Ltd.

ISO 14001:2004, ISO 9001:2008, OHSAS 18001:2007 ACCREDITED

HEAD OFFICE & FACTORY

71-17, Cheonjeong 2-gil, Mokcheon-eup, Dongnam-gu,
Cheonan-si, Chungnam, Korea, 31234
T 82-41-581-7742 / F 82-41-581-7795

SEOUL OFFICE

Novel Tech Building, 7th Floor, 115 Bongeunsa-ro,
Gangnam-gu, Seoul, Korea, 06120
T 82-2-517-6847 / F 82-2-514-8535
E sales@shckorea.com

www.shckorea.com

